

## Basic Wheelchair Bid Work Sheet

HMEDA Member Name/Address: Kootenay Columbia Home Medical Equipment 0800030 BC Ltd.
Contact Person: David Stokes
Phone/e-mail: <a href="mailto:david@kchomemedical.ca">david@kchomemedical.ca</a> 250 426-6600

### Delivery and MDEL Information

Our company is able to deliver and service proposed products within the following geographic boundaries: All of East and West Kootenays Includes: Cranbrook, Fernie, Invermere, Radium, Golden, Kimberley, Creston, Castlegar, Trail, Rossland, Nelson, Slocan, Nakusp, Grand Forks, Christina Lake, Salmo and several even smaller
Our company has a valid MDEL. Our licence number is: MDEL 224

It has come to our attention that the Ministry of Health Cheat Sheet for a basic wheelchair does not include a cushion. We expect that every basic wheelchair provided under this policy will require at least a 2" thick foam cushion with a fluid resistant cover. Please be sure to add details and pricing for the supply of a basic wheelchair cushion with each of the wheelchair options you propose in your bid. Your cushions might best be listed separately since some care homes may ask you to provide a specific type of cushion when placing orders.

### New Basic Wheelchairs

Product Model Name – Option 1 Pride Stylus Cushion Invacare Comfort-mate
Specifications See Spec form provided.
Comments re compliance with Basic Wheelchair Cheat Sheet Includes all Basic Wheelchair requirements – upcharges for larger seat sizes and lowest seat to floor heights will apply based configuration at time of order.

<p>Initial Product set-up charge/wheelchair: 1 hour included in sale of wheelchair additional labour \$80/hr</p> <p>Product set-up charge for subsequent user adjustment: \$80/hr estimate ½ to 1 hr for basic setup</p>		
<p>Additional Optional Warranty (beyond 1-yr?) 15% of MSRP for chair</p>		
<p>Unit Price for Qty 5 -10 Base price \$616 Cushion \$150</p>	<p>Unit Price for Qty 11 – 19 Base \$600 Cushion \$140</p>	<p>Unit Price for Qty 20 + Base \$580 Cushion \$130</p>

<p>Product Model Name – Option 2 Breezy Ultra 4, Sunrise Medical Cushion Invacare Comfort-mate</p>		
<p>Specifications See Spec form provided.</p>		
<p>Comments re compliance with Basic Wheelchair Cheat Sheet Includes all Basic Wheelchair requirements – upcharges for larger seat sizes and lowest seat to floor heights will apply based configuration at time of order.</p>		
<p>Initial Product set-up charge/wheelchair: 1 hour included in sale of wheelchair additional labour \$80/hr</p> <p>Product set-up charge for subsequent user adjustment: \$80/hr estimate ½ to 1 hr for basic setup</p>		
<p>Additional Optional Warranty (beyond 1 yr?) 15% of MSRP for chair</p>		
<p>Price for Qty 5 -10 Base Price \$1,051.20 Cushion \$150</p>	<p>Price for Qty 11 – 19 Base Price \$1,025 Cushion \$140</p>	<p>Price for Qty 20 + Base Price \$1,000 Cushion \$130</p>

<p>Product Model Name – Option 3 Stellato II, Future Mobility Cushion Invacare Comfort-mate</p>		
<p>Specifications See Spec form provided.</p>		

<p>Comments re compliance with Basic Wheelchair Cheat Sheet Includes all Basic Wheelchair requirements – upcharges for odd number seat width and depth will apply based configuration at time of order.</p>		
<p>Initial Product set-up charge/wheelchair: 1 hour included in sale of wheelchair additional labour \$80/hr</p> <p>Product set-up charge for subsequent user adjustment: \$80/hr estimate ½ to 1 hr for basic setup</p>		
<p>Additional Optional Warranty (beyond 1 yr?) 15% of MSRP for chair</p>		
<p>Price for Qty 5 -10 Base Price \$1,012.20 Cushion \$150</p>	<p>Price for Qty 11 – 19 Base Price \$990 Cushion \$140</p>	<p>Price for Qty 20 + Base Price \$970 Cushion \$130</p>

### Used Wheelchairs

<p>Product Model Name – Option 1 Variable based on available options at time of request</p>		
<p>Specifications</p>		
<p>Comments re compliance with Basic Wheelchair Cheat Sheet</p>		
<p>Initial Product set-up charge/wheelchair:</p> <p>Product set-up charge for subsequent user adjustment:</p>		
<p>Additional Optional Warranty (beyond 1 yr?)</p>		
<p>Price for Qty 5 -10</p>	<p>Price for Qty 11 - 19</p>	<p>Price for Qty 20 +</p>

<p>Product Model Name – Option 2 Variable based on available options at time of request</p>		
<p>Specifications</p>		
<p>Comments re compliance with Basic Wheelchair Cheat Sheet</p>		
<p>Initial Product set-up charge/wheelchair:</p> <p>Product set-up charge for subsequent user adjustment:</p>		

Additional Optional Warranty (beyond 1 yr?)		
Price for Qty 5 -10	Price for Qty 11 - 19	Price for Qty 20 +

<b>Product Model Name – Option 3</b> Variable based on available options at time of request		
Specifications		
Comments re compliance with Basic Wheelchair Cheat Sheet		
Initial Product set-up charge/wheelchair:		
Product set-up charge for subsequent user adjustment:		
Additional Optional Warranty (beyond 1 yr?)		
Price for Qty 5 -10	Price for Qty 11 - 19	Price for Qty 20 +

### Rental Wheelchairs

<b>Product Model Name – Option 1</b> Pride Stylus w/basic cushion		
Specifications See Spec form provided.		
Comments re compliance with Basic Wheelchair Cheat Sheet Includes all Basic Wheelchair requirements – upcharges for larger seat sizes and lowest seat to floor heights will apply based configuration at time of order.		
Initial Product set-up charge/wheelchair: 1 hr included in initial delivery		
Product set-up charge for subsequent user adjustment: \$80/hr estimate ½ to 1 hr for basic chair		
Additional Optional Warranty (beyond 1 yr?) none		
Price for Qty 5 -10 \$80	Price for Qty 11 – 19 \$75	Price for Qty 20 + \$70

Product Model Name – Option 2		
Specifications		
Comments re compliance with Basic Wheelchair Cheat Sheet		
Initial Product set-up charge/wheelchair:		
Product set-up charge for subsequent user adjustment:		
Additional Optional Warranty (beyond 1 yr?)		
Price for Qty 5 -10	Price for Qty 11 - 19	Price for Qty 20 +

Product Model Name – Option 3		
Specifications		
Comments re compliance with Basic Wheelchair Cheat Sheet		
Initial Product set-up charge/wheelchair:		
Product set-up charge for subsequent user adjustment:		
Additional Optional Warranty (beyond 1 yr?)		
Price for Qty 5 -10	Price for Qty 11 - 19	Price for Qty 20 +

Additional comments
---------------------

No signature is required for this bid. As stated in the outline, this bid is not a binding document. Bidders are supplying this information and BC Care Provider Association members are receiving this information

in an effort to help both parties gain an understanding of what products might be available for use as a basic wheelchair and what costs are involved.

It is anticipated BC Care Provider Members may use this information in selecting suppliers and subsequently obtaining products needed in an effort to meet Ministry of Health policy.

---

---

**BC Ministry of Health A Cheat Sheet for Clinicians**

**Included Features for a "Basic Wheelchair", "Basic Modified Wheelchair" and "Specialized Wheelchair"**

Wheelchair Feature/Attribute	Basic Wheelchair	Modified Basic Wheelchair	Specialized Wheelchair
Light-weight frame (typically <35 lbs)	✓	✓	✓
Variable seat heights (including super low)	✓	✓	✓
Upholstery/fabric back	✓	✓	✓
Adjustable padded arm rests	✓	✓	✓
Solid, pneumatic or semi-pneumatic rear wheels	✓	✓	✓
Front casters (any size)	✓	✓	✓
Wheel brakes with extensions as necessary	✓	✓	✓
Anti-tippers	✓	✓	✓
Swing-away foot rests	✓	✓	✓
Rear handles	✓	✓	✓
Seat belt for bus transportation	✓	✓	✓
Weight capacity up to 113.4 kg/250 lbs	✓	✓	✓
Reclining back	X	✓	✓
Padded backs, contoured backs, supportive backs, back positioning devices, lateral back supports, lumbar supports	X	✓	✓
Swing-away arm rests	X	✓	✓
Lap trays (full or half), lap cushions, extended arm rests, elevating arm rests, comfort or gel arm rests, arm trays, modified arm rests, safety positioners	X	✓	✓
Anti-roll back devices	X	✓	✓
Articulating (i.e. elevating) foot rests	X	✓	✓
Calf pads/supports, foot/leg troughs, footrest extenders, leg supports, leg straps, knee adductors, foot cradles, foot supports, amputee boards, toe straps	X	✓	✓
Lap belts, safety belts, retainer straps, pelvic positioning devices, knee/thigh belts	X	✓	✓
Chest harnesses, torso supports, posture supports,	X	✓	✓
Head supports, neck supports	X	✓	✓
Wheel grip covers, grip attachments	X	✓	✓
Rear handle extensions	X	✓	✓
Wheelchair alarms	X	✓	✓
Oxygen holders, cane/crutch holders	X	✓	✓
Flags, bags, drink holders, incontinence holders/bags	X	✓	✓
Weight capacity >113.4 kg/250 lbs	X	X	✓
Tilt-in-space capacity	X	X	✓
Power mobility, accessories with electrical components	X	X	✓

✓ - Included in definition      X - Not Included in definition

**N.B.** While each "✓" indicates that the feature is included in the definition, every feature may not be necessary for every wheelchair prescribed to every resident.

Items in yellow can be charged to the resident if not supplied by the care provider



**Pride Mobility Products Company**

5096 South Service Rd., Beamsville, Ontario, L0R 1B3

Phone: (888)-570-1113 Fax: (866)-514-1303



Account #:	PO #	Discount:
Bill To:	Ship To:	Terms:
Address:	Address:	Freight:
Phone Contact:	Marked For:	

*\*Please always use www.pridemobility.com to access the most current version of this form.*

QUICK SHIP OPTION 1		QUICK SHIP OPTION 2	
Description	Price	Description	Price
<input type="checkbox"/> Stylus LS Option 1 250 lbs. Weight Capacity 17.5" Seat-to-Floor Height - 24" Composite Wheels w/ Smooth Poly Tire & Aluminum Hand Rim - 8" Flat Free Casters Includes: - Tension Adjustable, Fluid Resistant Seat - Non-Tension Adjustable Back - 17"-19" Back Canes - 70° Swing-Away Foot Riggings w/ 14-18" Toolless Ext. - Reinforced Footplates w/ Heel Loops - Quick Release Axle - Push-to-Lock Wheel Locks Adjustable Rear Anti-Tip Wheels Full and Desk Length Height Adj. Armrests, 9"-14" 48" Lap Belt	\$835	<input type="checkbox"/> Stylus LS Option 2 250 lbs. Weight Capacity 16.5" Seat-to-Floor Height - 22" Composite Wheels w/ Smooth Poly Tire & Aluminum Hand Rim - 6" Flat Free Casters Includes: - Tension Adjustable, Fluid Resistant Seat - Non-Tension Adjustable Back - 17"-19" Back Canes - 70° Swing-Away Foot Riggings w/ 14-18" Toolless Ext. - Reinforced Footplates w/ Heel Loops - Quick Release Axle - Push-to-Lock Wheel Locks Adjustable Rear Anti-Tip Wheels <sup>1</sup> Full and Desk Length <sup>2</sup> Height Adj. Armrests, 9"-14" 48" Lap Belt	\$835
<b>Dimensions:</b> <input type="checkbox"/> 16x16 - STYLUSLS1007 NC <input type="checkbox"/> 18x16 - STYLUSLS1009 NC <input type="checkbox"/> 20x16 - STYLUSLS1011 \$90	<input type="checkbox"/> 16x18 - STYLUSLS1008 NC <input type="checkbox"/> 18x18 - STYLUSLS1010 NC <input type="checkbox"/> 20x18 - STYLUSLS1012 \$90	<b>Dimensions:</b> <input type="checkbox"/> 16x16 - STYLUSLS1001 NC <input type="checkbox"/> 18x16 - STYLUSLS1003 NC <input type="checkbox"/> 20x16 - STYLUSLS1005 \$90	<input type="checkbox"/> 16x18 - STYLUSLS1002 NC <input type="checkbox"/> 18x18 - STYLUSLS1004 NC <input type="checkbox"/> 20x18 - STYLUSLS1006 \$90

**ADDITIONAL OPTIONS (Additional lead time may apply)**  
Optional accessories ship w/ the boxed chair for provider installation

- Armrests:**  
 Desk Length, Flip-Up, Non Height-Adjustable \$100
- Back Option:**  
 Tension Adjustable Seat Back \$125
- Front Riggings:**  
 Elevating Legrests, 13-17" Extensions w/ Calf Pads \$310  
*Pull-to-Lock wheel locks are recommended when choosing ELR's to avoid interference with locking mechanism.*
- Accessories:**  
 O2 Holder *Mounts on left side only* \$105  
 Wheel Lock Extensions \$45pr  
 Pull-To-Lock Wheel Locks \$40pr
- Ultra Hemi:**  
 Ultra Hemi Kit (KIT124365) \$325  
*Includes 20" Smooth Poly Tires (WHLASMB2176 x 2) and 5" Casters (FRMASMB16919) w/ Short Fork*
- Optional Tires (installed):**  
 3/8" x 20" Poly, Dark Grey, Knobby Treaded Tire \$170ea.  
*WHLASMB1702*  
*20" wheel required 5" Casters (FRMASMB16919) w/ Short Fork*  
 3/8" x 22" Poly, Dark Grey, Knobby Treaded Tire \$125ea.  
*WHLASMB1562*  
 3/8" x 24" Poly, Dark Grey, Knobby Treaded Tire \$125ea.  
*WHLASMB1561*

**SYNERGY® CUSHIONS**

- No Cushion Required  
*Please refer to Synergy order forms for detailed pricing and sizes.*
- Solution® 1 Cushion *Skin Protection* \$285-\$335
- Solution® Cushion *Skin Protection & Positioning* \$420-\$525
- Spectrum® Gel Cushion *Positioning* \$580-\$630
- Spectrum® Visco Cushion *Skin Protection & Positioning* \$580-\$630
- TRU-Comfort™ 2 4-Way Stretch *Skin Protection* \$420-\$525

**SEAT-TO-FLOOR HEIGHTS**

*All chairs ship out in lowest STF configuration*

STF Height	CASTER			DRIVE WHEEL		
	6" 1	6" 2	5"	24" 1	22" 2	20"
19.5"				BOT		
18.5"	MID	BOT		MID	BOT	
17.5"	TOP	MID		TOP	MID	
16.5"		TOP			TOP	
16"			BOT			MID
15.5"			MID			
15"			TOP			TOP

1. STF heights available with QUICK SHIP OPTION 1  
2. STF heights available with QUICK SHIP OPTION 2





**Breezy® Ultra<sup>4</sup>**  
**March 2015**  
 EIB7



ACCOUNT #: \_\_\_\_\_ SHIP TO: \_\_\_\_\_  
 DATE: \_\_\_\_\_ NAME: \_\_\_\_\_  
 P.O. #: \_\_\_\_\_ ADDRESS: \_\_\_\_\_  
 CITY: \_\_\_\_\_ PROVINCE: \_\_\_\_\_  
 POSTAL CODE: \_\_\_\_\_ PHONE #: \_\_\_\_\_  
 BUYER: \_\_\_\_\_ MARKED FOR: \_\_\_\_\_



**Breezy® Ultra<sup>4</sup> QUICK SHIP Program**

Shipped standard with: Silver Texture Frame Color, Adj. Height Backrest, Quick Release Axles, Angle Adj. Front Caster Housing, Swing-Away Hanger with Composite Footplate + Heel Loops, Mag Wheel with Aluminum Hand Rim Upholstery w/ chart pocket. For options built into part # see below.

Options: Z - Angle Adjustable Back, FAPD/F - Flip Back Non Height Adj. Padded Desk / Full Arm, HAPD/F - Flip Back Height Adj. Padded Desk / Full Arm, AT - Anti - Tipper

**Standard - 19.5" Seat-To-Floor Height, 24" Rear Wheel, 8" Front Caster**

16" x 16"	
<input type="checkbox"/> B1616FAPDS	\$1,316.00
<input type="checkbox"/> B1616HAPDSAT	\$1,686.00
<input type="checkbox"/> B1616HAPFSAT	\$1,686.00
<input type="checkbox"/> B1616ZHAPDSAT	\$1,808.00
<input type="checkbox"/> B1616ZHAPFSAT	\$1,808.00

18" x 16"	
<input type="checkbox"/> B1816FAPDS	\$1,316.00
<input type="checkbox"/> B1816HAPDSAT	\$1,686.00
<input type="checkbox"/> B1816HAPFSAT	\$1,686.00
<input type="checkbox"/> B1816ZHAPDSAT	\$1,808.00
<input type="checkbox"/> B1816ZHAPFSAT	\$1,808.00

16" x 18"	
<input type="checkbox"/> B1618FAPDS **	\$1,316.00
<input type="checkbox"/> B1618HAPDSAT**	\$1,686.00
<input type="checkbox"/> B1618HAPFSAT**	\$1,686.00
<input type="checkbox"/> B1618ZHAPDSAT	\$1,808.00
<input type="checkbox"/> B1618ZHAPFSAT	\$1,808.00

18" x 18"	
<input type="checkbox"/> B1818FAPDS	\$1,316.00
<input type="checkbox"/> B1818HAPDSAT	\$1,686.00
<input type="checkbox"/> B1818HAPFSAT	\$1,686.00
<input type="checkbox"/> B1818ZHAPDSAT	\$1,808.00
<input type="checkbox"/> B1818ZHAPFSAT	\$1,808.00

20" x 18"	
<input type="checkbox"/> B2018FAPDS	\$1,505.00
<input type="checkbox"/> B2018HAPDSAT	\$1,875.00
<input type="checkbox"/> B2018HAPFSAT	\$1,875.00
<input type="checkbox"/> B2018ZHAPDSAT	\$1,997.00
<input type="checkbox"/> B2018ZHAPFSAT	\$1,997.00

**Hemi - 16.5" Seat-To-Floor Height, 22" Rear Wheel, 6" Front Caster**

16" x 16"	
<input type="checkbox"/> BHM1616ZHAPDSAT	\$1,930.00
<input type="checkbox"/> BHM1616ZHAPFSAT	\$1,930.00

18" x 16"	
<input type="checkbox"/> BHM1816ZHAPOSAT	\$1,930.00
<input type="checkbox"/> BHM1816ZHAPFSAT	\$1,930.00

16" x 18"	
<input type="checkbox"/> BHM1618ZHAPDSAT **	\$1,930.00
<input type="checkbox"/> BHM1618ZHAPFSAT **	\$1,930.00

18" x 18"	
<input type="checkbox"/> BHM1818ZHAPDSAT	\$1,930.00
<input type="checkbox"/> BHM1818ZHAPFSAT	\$1,930.00

20" x 18"	
<input type="checkbox"/> BHM2018ZHAPDSAT	\$2,119.00
<input type="checkbox"/> BHM2018ZHAPFSAT	\$2,119.00

**Ultra Hemi (Ultra Hemi Frame), 14.5" Seat-To-Floor Height, 20" Rear Wheel, 6" Front Caster**

16" x 16"	
<input type="checkbox"/> BUH1616HHAPFSAT	\$1,895.00

18" x 16"	
<input type="checkbox"/> BUH1816HHAPFSAT	\$1,895.00

16" x 18"	
<input type="checkbox"/> BUH1618HHAPFSAT	\$1,895.00

18" x 18"	
<input type="checkbox"/> BUH1818HHAPFSAT	\$1,895.00

20" x 18"	
<input type="checkbox"/> BUH2018HHAPFSAT **	\$1,895.00



**Account Information:**

Account #: \_\_\_\_\_ Order Date: \_\_\_\_\_

Business Name: \_\_\_\_\_ P.O.# \_\_\_\_\_

Ship to Address: \_\_\_\_\_ Phone: \_\_\_\_\_

Fax: \_\_\_\_\_ City: \_\_\_\_\_

Contact: \_\_\_\_\_ Province: \_\_\_\_\_ Postal Code: \_\_\_\_\_

TAG FOR: \_\_\_\_\_

**① FRAME TYPE**

Stellato // Folding Chair WM0001188----- 113 \$1,350

**② FRAME FINISH**

Black----- 113C01 No Charge

Silver----- 113C02 No Charge

**Custom Colours**

Blue----- 113C03 \$150

Green----- 113C04 \$150

Orange----- 113C05 \$150

Purple----- 113C06 \$150

Red----- 113C07 \$150

Yellow----- 113C08 \$150

Custom Colour----- 113C17 \$150

**Technical Specs:**

Seat Width (14"-20")

Seat Depth (15"-20")

Seat-To-Floor Height (13"-20")

Rear Wheel Options (20", 22" or 24")

Caster Options (4", 5", 6", or 8")

Chair Width = Seat Width + 8"

Weight Capacity: 275 lbs



**③ SEAT WIDTH**

14" Seat Width----- 113SW14 No Charge

15" Seat Width----- 113SW15 \$125

16" Seat Width----- 113SW16 No Charge

17" Seat Width----- 113SW17 \$125

18" Seat Width----- 113SW18 No Charge

19" Seat Width----- 113SW19 \$125

20" Seat Width----- 113SW20 No Charge

**④ SEAT DEPTH**

15" Seat Depth----- 113SD15 \$125

15" Seat Depth not available with (24"+8" combo)(22"+8" combo)(24"+6" combo) in active position.

16" Seat Depth----- 113SD16 No Charge

16" Seat Depth not available with (24"+8" combo) in active position

17" Seat Depth----- 113SD17 \$125

18" Seat Depth----- 113SD18 No Charge

19" Seat Depth----- 113SD19 \$125

20" Seat Depth----- 113SD20 No Charge

**STELLATO II FRONT BTF HEIGHT CHART**

FSTF	20" WHEEL			22" WHEEL			24" WHEEL		
	4	5	6	4	5	6	4	5	6
13"	x								
14"		x							
15"			x						
16"		x	x		x	x		x	x
17"		x	x		x	x		x	x
18"		x	x		x	x		x	x
19"					x	x		x	x
20"									x

FLUSH SEAT SLOPE ONLY

FLUSH AND 1" SEAT SLOPE

FLUSH, 1" AND 2" SEAT SLOPE

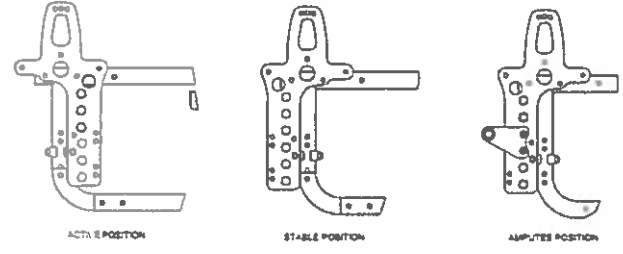
**⑤ REAR AXLE POSITION**

Active (In front of back cane)----- 113RA01 No Charge

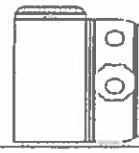
Stable (Behind back cane)----- 113RA02 No Charge

Amputee Rear Axle Position----- 113RA03 \$110

Extension bracket required for 20" and 22" rear wheel when using amputee mount option

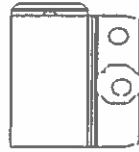


STELLATO II STF HEIGHT AVAILABILITY - SHORT FORK								
Flush Seat Slope		Wheel Size and Axle Position			Fork Position & Caster Wheel Size			
Front STF	Rear STF	20"	22"	24"	Fork UPPER Position		Fork LOWER Position	
13" FSTF	13" RSTF	Axle 0			4"	5"	4"	5"
14" FSTF	14" RSTF	Axle 1				Pos SF3		
15" FSTF	15" RSTF	Axle 2	Axle 1					Pos SF3

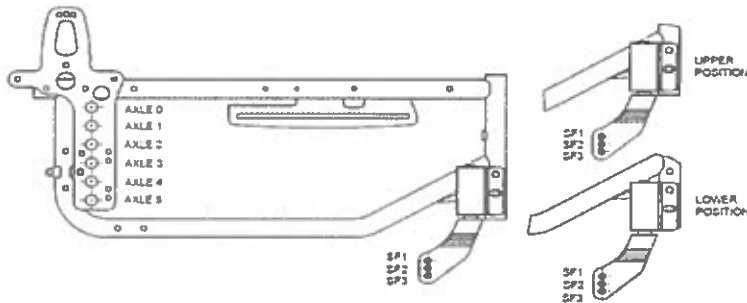


CASTER SET-UP  
FLUSH 0 DEG

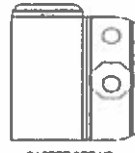
STELLATO II STF HEIGHT AVAILABILITY - SHORT FORK								
1" Drop Seat Slope		Wheel Size and Axle Position			Fork Position & Caster Wheel Size			
Front STF	Rear STF	20"	22"	24"	Fork UPPER Position		Fork LOWER Position	
14" FSTF	13" RSTF	Axle 0			4"	5"	4"	5"
15" FSTF	14" RSTF	Axle 1				Pos SF3		
								Pos SF3



CASTER SET-UP  
1" DROP 3-DEG

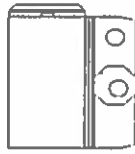


STELLATO II STF HEIGHT AVAILABILITY - LONG/ MEDIUM FORK											
Flush Seat Slope		Wheel Size and Axle Position			Fork Position & Caster Wheel Size						
Front STF	Rear STF	20"	22"	24"	Caster Fork In UPPER Position			Caster Fork In LOWER Position			
16" FSTF	16" RSTF	Axle 3	Axle 2	Axle 1	5"	6"	8"	5"	6"	8"	8"
17" FSTF	17" RSTF	Axle 4	Axle 3	Axle 2	Pos MF2	Pos MF1		Pos MF2	Pos MF1		
18" FSTF	18" RSTF	Axle 5	Axle 4	Axle 3		Pos LF3	Pos LF1	Pos LF2	Pos LF1		
19" FSTF	19" RSTF		Axle 5	Axle 4			Pos LF3				Pos LF1
20" FSTF	20" RSTF			Axle 5							Pos LF3



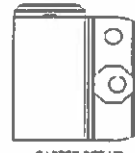
CASTER SET-UP  
FLUSH 0 DEG

STELLATO II STF HEIGHT AVAILABILITY - LONG/ MEDIUM FORK											
1" Drop Seat Slope		Wheel Size and Axle Position			Fork Position & Caster Wheel Size						
Front STF	Rear STF	20"	22"	24"	Caster Fork In UPPER Position			Caster Fork In LOWER Position			
16" FSTF	15" RSTF	Axle 2	Axle 1		5"	6"	8"	5"	6"	8"	8"
17" FSTF	16" RSTF	Axle 3	Axle 2	Axle 1	Pos MF2	Pos MF1		Pos MF2	Pos MF1		
18" FSTF	17" RSTF	Axle 4	Axle 3	Axle 2		Pos LF3	Pos LF1	Pos LF2	Pos LF1		
19" FSTF	18" RSTF	Axle 5	Axle 4	Axle 3			Pos LF3				Pos LF1
20" FSTF	19" RSTF		Axle 5	Axle 4							Pos LF3

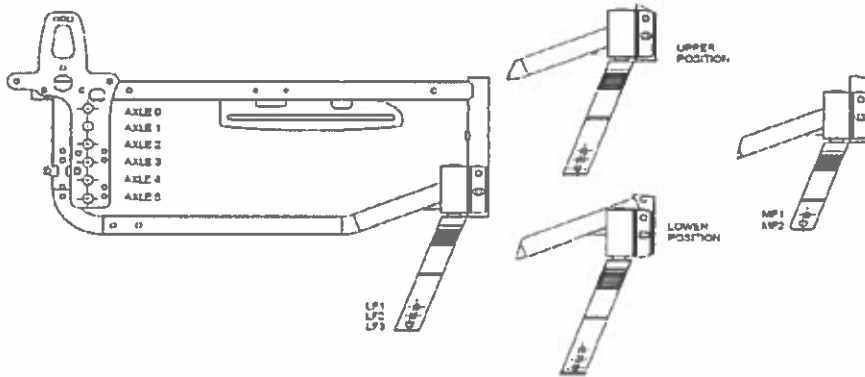


CASTER SET-UP  
1" DROP 3-DEG

STELLATO II STF HEIGHT AVAILABILITY - LONG/ MEDIUM FORK											
2" Drop Seat Slope		Wheel Size and Axle Position			Fork Position & Caster Wheel Size						
Front STF	Rear STF	20"	22"	24"	Caster Fork In UPPER Position			Caster Fork In LOWER Position			
18" FSTF	14" RSTF	Axle 1			5"	6"	8"	5"	6"	8"	8"
17" FSTF	15" RSTF	Axle 2	Axle 1		Pos MF2	Pos MF1		Pos MF2	Pos MF1		
18" FSTF	16" RSTF	Axle 3	Axle 2	Axle 1		Pos LF3	Pos LF1	Pos LF2	Pos LF1		
19" FSTF	17" RSTF	Axle 4	Axle 3	Axle 2			Pos LF3				Pos LF1
20" FSTF	18" RSTF	Axle 5	Axle 4	Axle 3							Pos LF3



CASTER SET-UP  
2" DROP 6-DEG



**⑥ SEAT-TO-FLOOR HEIGHT (Choose desired front seat to floor height)**

- 13" Seat to Floor ..... 113SF02 No Charge
- 14" Seat to Floor ..... 113SF04 No Charge
- 15" Seat to Floor ..... 113SF06 No Charge
- 16" Seat to Floor ..... 113SF08 No Charge
- 17" Seat to Floor ..... 113SF10 No Charge
- 18" Seat to Floor ..... 113SF12 No Charge
- 19" Seat to Floor ..... 113SF14 No Charge
- 20" Seat to Floor ..... 113SF16 No Charge

**⑦ SEAT SLOPE (See Chart)**

- Flush Seat Slope ..... 113SS01 No Charge
- 1" Drop Seat Slope ..... 113SS02 No Charge
- 2" Drop Seat Slope ..... 113SS03 No Charge

**⑧ CASTER OPTIONS (See Chart)**

- 4" x 1" Urethane Caster Wheel ..... 113CW13 No Charge
- 5" x 1.25" Urethane Caster Wheel ..... 113CW02 No Charge
- 6" x 1.25" Urethane Caster Wheel ..... 113CW04 No Charge
- 8" x 1.25" Urethane Caster Wheel ..... 113CW07 No Charge

**⑨ REAR WHEEL OPTIONS (See Chart)**

- 20" Rear Wheel - Composite ..... 113RW03 No Charge
- 22" Rear Wheel - Composite ..... 113RW04 No Charge
- 24" Rear Wheel - Composite ..... 113RW05 No Charge
- 24" Wheel in axle position (#0 #1) not available with Fixed Flip Back Arm
- 24" Wheel in axle position (#0 #1) requires fixed bolt option on Height Adjustable Arm
- 20" Rear Wheel - Spoke ..... 113RW06 \$255
- 22" Rear Wheel - Spoke ..... 113RW07 \$255
- 24" Rear Wheel - Spoke ..... 113RW08 \$255
- 24" Wheel in axle position (#0 #1) not available with Fixed Flip Back Arm
- 24" Wheel in axle position (#0, #1) requires fixed bolt option on Height Adjustable Arm
- Spoke Guards ..... 113SG1 \$130

**⑩ REAR WHEEL TIRE**

- Airless (Solid Rubber) ..... 113RT1 Standard
- Pneumatic ..... 113RT2 No Charge

**⑪ HANDRIM OPTIONS**

- Chrome ..... 113HR1 Standard
- Plastic Coated ..... 113HR2 \$110
- Omit Handrims ..... 113HR3 No Charge

**⑫ REAR AXLES**

- Fixed Bolt Axle ..... 113AL1 No Charge
- Quick Release Axle ..... 113AL3 \$110

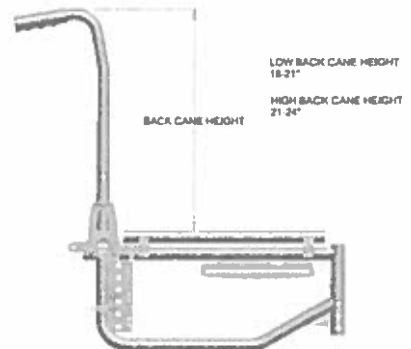
**⑬ ARM TYPE**

- Fixed Flip Back Vinyl Desk Length (Wrap Around) ..... 113AR30 \$260
- Fixed Flip Back Vinyl Full Length (Wrap Around) ..... 113AR35 \$260
- Fixed Flip Back Gel Full Length (Wrap Around) ..... 113AR36 \$270
- Height Adjustable Flip Back Gel Full Length (Wrap Around) ..... 113AR37 \$300
- Height Adjustable Flip Back Vinyl Full Length (Wrap Around) ..... 113AR38 \$285
- Replace Adjustable knob with Fixed Bolt ..... 113AR39 No Charge

Only applies to Height Adjustable Flip Back Arm.

**⑭ BACK TYPE**

- Angle Adj 10 deg Bend w/Push Handle (low) ..... 113PC3 Standard
- Angle Adj 10 deg Bend w/Push Handle (high) ..... 113PC4 \$90
- Seat to Back Angle set at: -7° \_\_\_ 0° \_\_\_ +7° \_\_\_ (Forward) ..... 113STB01 \$90



**15 BACK OPTIONS**

<input type="checkbox"/>	Slip-on Padded Back Upholstery	113BK48	Standard
<input type="checkbox"/>	Adjustable Tension Back	113BK45	\$150
<input type="checkbox"/>	Prism Basic Back	113BK01	\$150
<input type="checkbox"/>	Prism Ultra Back	113BK06	\$250
<input type="checkbox"/>	Prism Air Back	113BK11	\$400
<input type="checkbox"/>	Prism TrueFitt Back	113BK16	\$650
<input type="checkbox"/>	Prism Max Ultra Back	113BK21	\$300
<input type="checkbox"/>	Prism Max Air Back	113BK26	\$450
<input type="checkbox"/>	Prism Max TrueFitt Back	113BK31	\$700
<input type="checkbox"/>	Lunar Back Mid Basic Lateral on chair	113BK39	\$550
<input type="checkbox"/>	Omit Back	113BK49	No Charge

Specify Back Size Height: 16" 18" 20"

For other Backs, please fill in the required Backs Order Form and attach it to this order. [Click here to see all Backs](#)

**16 BACK PINS (Prism Backs only)**

<input type="checkbox"/>	Longer Pins for Back Hardware 1" Growth	113BP1	\$50
<input type="checkbox"/>	Longer Pins for Back Hardware 2" Growth	113BP2	\$50

**17 CUSHION OPTIONS**

<input type="checkbox"/>	Black Nylon Seat Upholstery	113SC19	Standard
<input type="checkbox"/>	Prism Ideal Cushion	113SC01	\$175
<input type="checkbox"/>	Prism Elite Cushion	113SC04	\$250
<input type="checkbox"/>	Prism Supreme Cushion	113SC07	\$375
<input type="checkbox"/>	Prism Supreme II Plus Cushion	113SC10	\$375
<input type="checkbox"/>	Prism Supreme Air Cushion	113SC13	\$500
<input type="checkbox"/>	Omit Cushion	113SC20	No Charge

Standard Size Cushion Depth: 16" 18" and 20"

For other Cushions, please fill in the required Cushions Order Form and attach it to this order. [Click here to see all Cushions](#)

**18 FRONT RIGGING (PAIRS)**

<input type="checkbox"/>	60 Degree Dual Swingaway	113FR06	\$210
	Not available when caster housing mounted in upper position.		
<input type="checkbox"/>	70 Degree Dual Swingaway	113FR07	\$210
	Not available when caster housing mounted in upper position.		
<input type="checkbox"/>	80 Degree Dual Swingaway	113FR08	\$210
	Not available when caster housing mounted in upper position.		
<input type="checkbox"/>	90 Degree Dual Swingaway	113FR09	\$210
	Not available with composite/adjustable footplate with 6" 7" or 8" Casters		
	Not available when caster housing mounted in upper position.		
<input type="checkbox"/>	60 Degree Swingaway Upgraded	113FR03	No Charge
<input type="checkbox"/>	70 Degree Swingaway Upgraded	113FR04	No Charge
<input type="checkbox"/>	90 Degree Swingaway Upgraded	113FR05	\$230
	Not available with composite/adjustable footplate with 6" 7" or 8" Casters		
<input type="checkbox"/>	Dual Swingaway Elevating Legrest (pair)	113FR25	\$500
	Not available when caster housing mounted in upper position.		
<input type="checkbox"/>	Stump Support Swingaway Upgraded Pair	113FR32	\$240

**Single Pick Option** Same limitations as above pairs

<input type="checkbox"/>	60 Degree Dual Swingaway	<input type="checkbox"/> RT <input type="checkbox"/> LT	113FR38	\$105
<input type="checkbox"/>	70 Degree Dual Swingaway	<input type="checkbox"/> RT <input type="checkbox"/> LT	113FR39	\$105
<input type="checkbox"/>	80 Degree Dual Swingaway	<input type="checkbox"/> RT <input type="checkbox"/> LT	113FR40	\$105
<input type="checkbox"/>	90 Degree Dual Swingaway	<input type="checkbox"/> RT <input type="checkbox"/> LT	113FR41	\$105
<input type="checkbox"/>	60 Degree Swingaway Upgraded	<input type="checkbox"/> RT <input type="checkbox"/> LT	113FR35	No Charge
<input type="checkbox"/>	70 Degree Swingaway Upgraded	<input type="checkbox"/> RT <input type="checkbox"/> LT	113FR36	No Charge
<input type="checkbox"/>	90 Degree Swingaway Upgraded	<input type="checkbox"/> RT <input type="checkbox"/> LT	113FR37	\$115
<input type="checkbox"/>	Dual Swingaway Elevating Legrest	<input type="checkbox"/> RT <input type="checkbox"/> LT	113FR43	\$250
<input type="checkbox"/>	Stump Support Swingaway	<input type="checkbox"/> RT <input type="checkbox"/> LT	113FR44	\$120
<input type="checkbox"/>	Omit Front Rigging	<input type="checkbox"/> RT <input type="checkbox"/> LT	113FR11	No Charge

**19 FOOTPLATE TYPE (PAIRS)**

<input type="checkbox"/>	Composite Flip-Up Footplates Small	113FP01	No Charge
<input type="checkbox"/>	Composite Flip-Up Footplates Large	113FP02	No Charge
<input type="checkbox"/>	Composite Depth & Angle Adj Flip-Up Footplates Medium (18" w)	113FP09	\$120
<input type="checkbox"/>	Composite Angle Adj Flip-Up Cone Lock Large	113FP16	\$150
<input type="checkbox"/>	Composite Angle Adj Flip-Up Cone Lock X-Large	113FP17	\$170
<input type="checkbox"/>	Aluminum Depth & Angle Adj Flip-Up Footplates Small	113FP10	\$120
<input type="checkbox"/>	Aluminum Depth & Angle Adj Flip-Up Footplates Medium	113FP11	\$120
<input type="checkbox"/>	Aluminum Depth & Angle Adj Flip-Up Footplates Large	113FP12	\$120
<input type="checkbox"/>	One Piece Flip-Up Footboard	113FP19	\$160

Not Available with 6", 7" or 8" Casters when footboard is facing rear on 90° Swingaway



UPGRADED SWINGAWAY



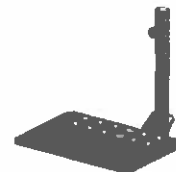
DUAL SWINGAWAY



DUAL SWINGAWAY ELEVATED LEGREST



STUMP SUPPORT SWINGAWAY



ALUMINUM FLIP UP DEPTH & ANGLE ADJ



COMPOSITE FLIP UP



COMPOSITE FLIP UP DEPTH & ANGLE ADJ



COMPOSITE FLIP UP ANGLE ADJ

**22 FOOTREST/LEGREST ACCESSORIES**

<input type="checkbox"/>	Padded Calf Strap-----	113FA03	\$70
<input type="checkbox"/>	Foam Guards on Elevating Legrest (pair)-----	113FA05	\$70
<input type="checkbox"/>	Foam Pad on Footplate (pair)-----	113FA07	\$70
<input type="checkbox"/>	Foam Pad on One Piece Footboard-----	113FA06	\$50
<input type="checkbox"/>	Heel Loops-----	113FA01	Standard
<input type="checkbox"/>	Omit Heel Loops-----	113FA02	No Charge

**23 WHEEL LOCKS**

<input type="checkbox"/>	Push-to-Lock Wheel Lock-----	113WL5	Standard
<input type="checkbox"/>	Pull-to-Lock Wheel Lock-----	113WL6	No Charge
<input type="checkbox"/>	Wheel Lock Extension (Bolt on)-----	113WL7	No Charge

Wheel Lock Extension required with Flip Back Arm;  
Pull to Lock recommended for Seat Depth 18" and smaller



PUSH TO LOCK

PULL TO LOCK

**24 ANTI TIP**

<input type="checkbox"/>	Fixed Anti-Tippers-----	113MA22	No Charge
<input type="checkbox"/>	Quick Flip Anti-Tippers-----	113MA23	\$90

Quick Flip Anti-Tippers must be in down position when flipping arm back  
Not available with Amputee Rear Wheel Mount option

**25 MISCELLANEOUS ACCESSORIES**

<input type="checkbox"/>	Auto-Seat Positioning Straps-----	113MA03	\$52
<input type="checkbox"/>	Velcro Release Positioning Strap-----	113MA05	\$48
<input type="checkbox"/>	Padded Lap Tray 15"-16"-----	113MA09	\$285
<input type="checkbox"/>	Padded Lap Tray 17"-18"-----	113MA10	\$285
<input type="checkbox"/>	Padded Lap Tray 19"-20"-----	113MA11	\$285
<input type="checkbox"/>	IV Pole, telescopic-----	113MA20	\$168
<input type="checkbox"/>	Cane Crutch Holder-----	113MA37	\$85

**WARRANTY**

Future Mobility Healthcare warrants the STELLATO II wheelchair to be free from defects in materials and workmanship for a period of two (2) year from the date of purchase. The side frame is warranted for the lifetime of the original purchaser and/or user.